

1250 Lever Operated Valve

Application

The WellMark lever operated "dump" valve is used in conjunction with a float nose to dump oil or water from separators, knockouts, treaters, and other accumulators.

Features

- 500 psi Working Pressure, Std.
- Ductile Iron Body and Bonnet
- Balanced Double Seats for High Flow
- No Diaphragms to Rupture

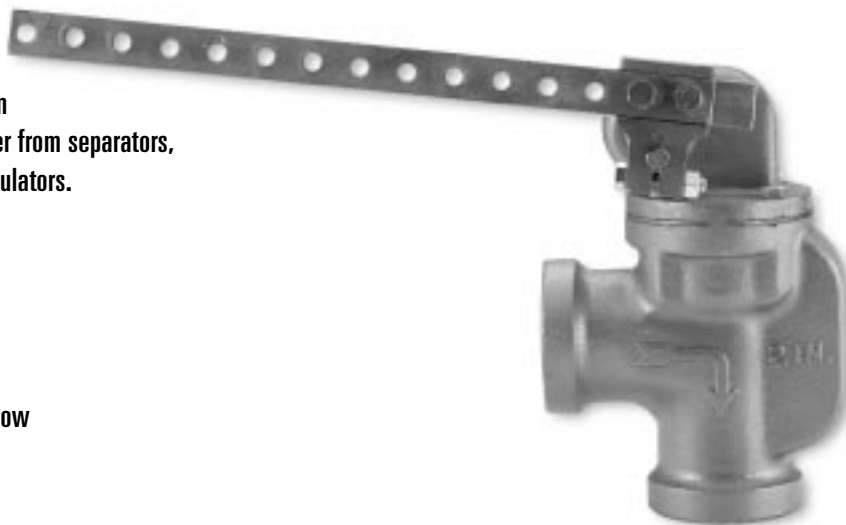
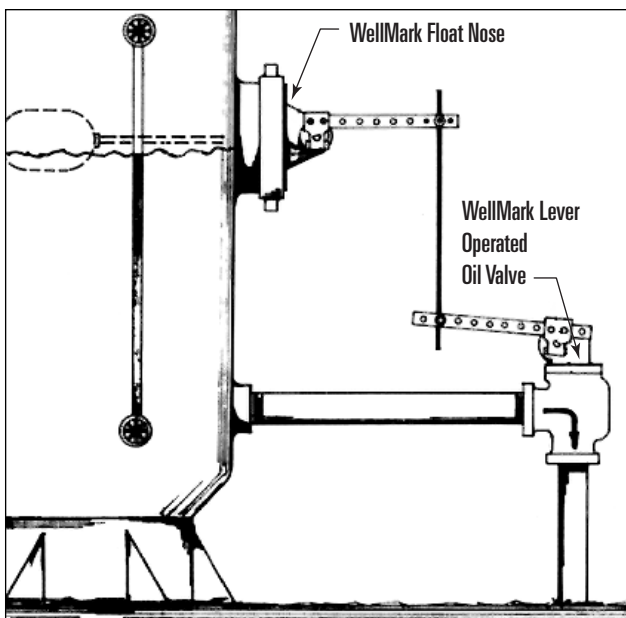
Specifications

Working Pressure 500 psi

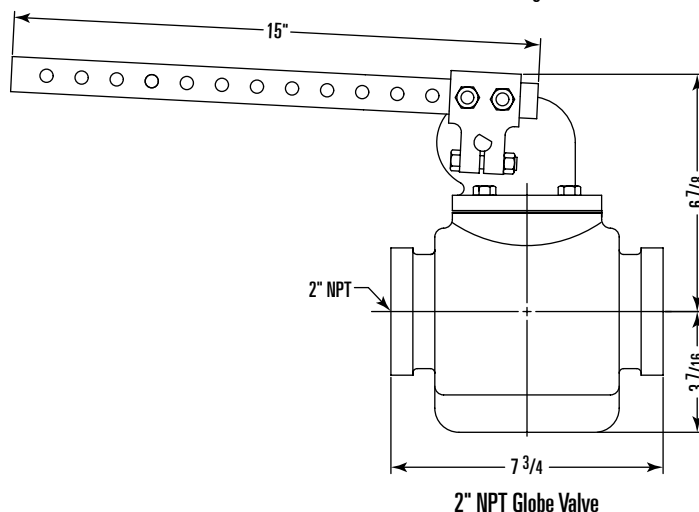
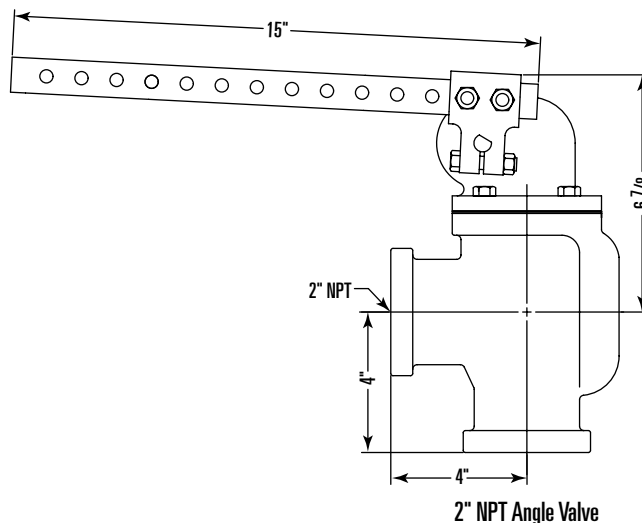
Material

- Body 2" Globe or Angle Ductile Iron
- Bonnet Ductile Iron
- Trim Viton® Molded Plug, Integral Seat
- Stem 303 S.S.
- Stuffing Box Steel

Installation



Dimensional Data



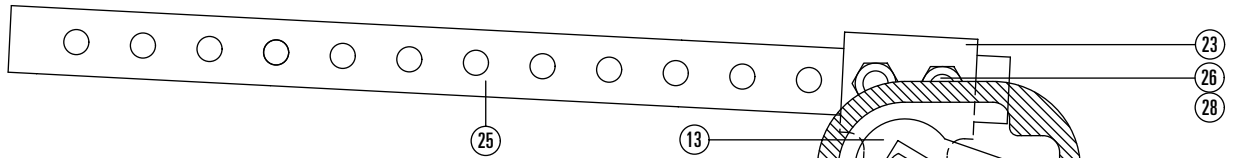
1250 Lever Operated Valve

Determining the Model Number

Example given: Standard Model 2LS – Series 1250 2" Angle Lever Valve with NPT Connection.

MODEL 2LS

- 2LS • 2" Angle Lever Valve
- 2LSG • 2" Globe Lever Valve



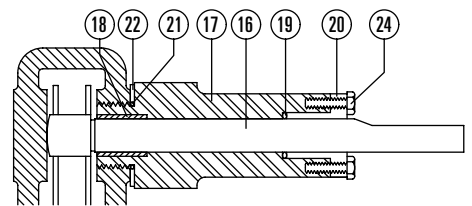
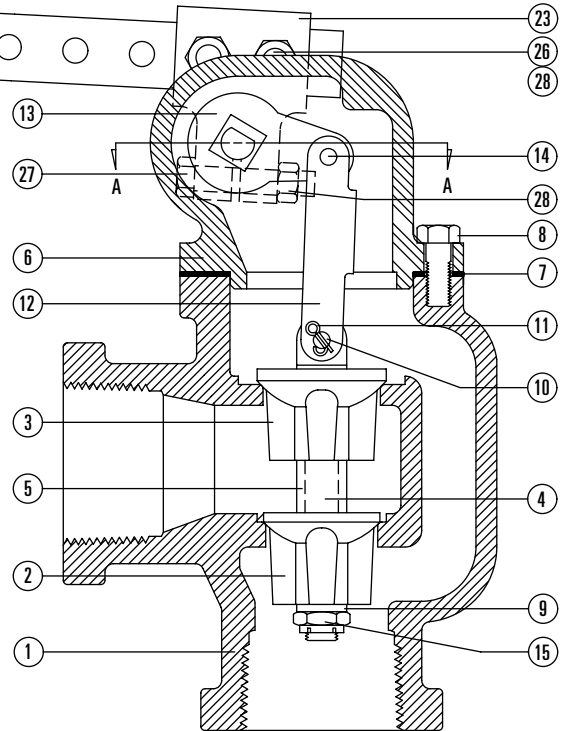
Parts List

Item	Description	Qty.	Part No.
1	BODY, 2"NPT ANGLE, DUCTILE IRON	1	05010-1211
	BODY, 2"NPT GLOBE, DUCTILE IRON	1	05012-3611
2*	BOTTOM PLUG, VITON®	1	05011-3984
3*	TOP PLUG, VITON®	1	05011-3976
4	STEM, INNER, ASTM A-582 TY.303	1	05010-1435
5	SPACER, ASTM A-582 TY.303	1	05011-3455
6	BONNET, DUCTILE IRON	1	05010-0809
7*	GASKET/MOLDED BUNA-N	1	05011-0816
8	CAP SCREW, ASTM A-307 GR.B	4	05000-1874
9	WASHER, ASTM A-582 TY.303	1	05010-1492
10	HINGE PIN, STAINLESS STEEL	1	05010-2037
11	COTTER PIN, MONEL	1	06000-0239
12	LINKAGE, ASTM A-167 TY.304	1	05010-2052
13	HINGE ASSY., ASTM A-167 TY.304	1	06500-0614
14	RIVET, ASTM A-582 TY.303	1	05010-2094
15	FLEX-LOC NUT, STAINLESS STEEL	1	05000-2062
16	STEM, ASTM A-582 TY.303	1	05010-0999
17	STUFFING BOX, ASTM A-108GR.1018	1	05010-0965
18	BEARING, OILITE BEARING	1	06000-0015
19*	O-RING, BUNA-N	1	05000-0207
20	RETAINER CAP, DELRIN	1	05010-0973
21*	O-RING, BUNA-N	1	05000-0082
22*	GASKET, DELRIN	1	05011-1665
23	LEVER COLLAR, CAST STEEL	1	05010-0841
24	CAP SCREW, STAINLESS STEEL	3	05000-1585
25	LEVER, 15", ASTM A-36	1	05010-3910
26	CAP SCREW, ASTM A-307 GR.B	2	05000-1874
27	CAP SCREW, ASTM A-307 GR.B	1	05000-1916
28	HEX NUT, ASTM A-307 GR.B	3	05000-2104

*Recommended Spare Part

Model and Part No.

Size	Model No.	Connection	W.P.	Cv	Wt.	Part No.
2"	2LS	2"NPT	500	40	27	03000-0210
	2LSG	2"NPT	500	40	31	03000-0211



Section A-A