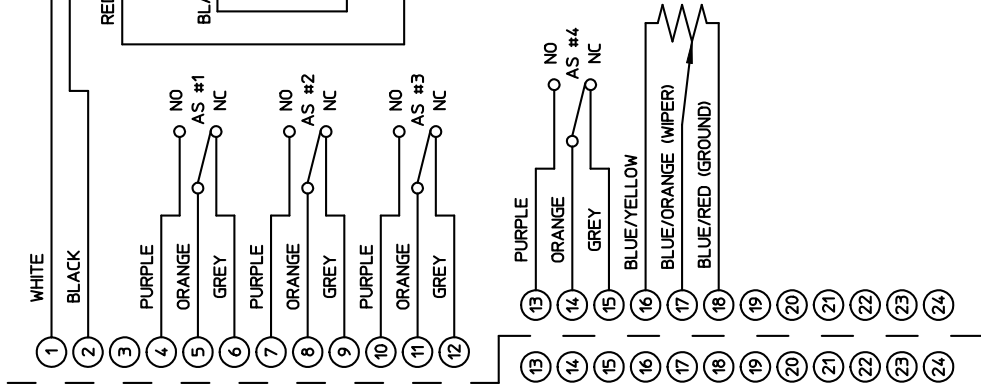


FIELD WIRING
(REFERENCE ONLY - NOT SUPPLIED)

ACTUATOR WIRING



- NOTES:**
1. FIELD WIRING IS SHOWN FOR REFERENCE ONLY AND IS NOT SUPPLIED WITH THE ACTUATOR.
 2. ALWAYS VERIFY SPECIFIC ACTUATOR WIRING TO SPECIFICATION BEFORE INSTALLING.
 3. ROTATION IS VIEWED FROM ABOVE THE ACTUATOR.
 4. LS DEFINES LIMIT SWITCH OR END OF TRAVEL SWITCH.
 5. AS DEFINES AUXILIARY SWITCH AS #1 THROUGH #4 ARE OPTIONAL AND ARE SUPPLIED ONLY IF ORDERED WITH THE ACTUATOR OR AS A KIT.
 6. TS #1 AND TS #2 ARE TORQUE SWITCHES AND ARE PROVIDED ONLY ON THE 800 SERIES ACTUATORS.
 7. THERMAL OVERLOAD SHOWN RESETS AUTOMATICALLY AND IS STANDARD ON ALL LIMITS.
 8. CONTROL VOLTAGE OF 4-20 mA OR 0-10 V, NOT BOTH.
 9. SWITCHES ARE CONFIGURED FROM BOTTOM TO TOP (i.e. SWITCH 1 IS ON THE BOTTOM, SWITCH 2 IS THE NEXT ONE UP, etc.) LIMIT SWITCHES ARE MOUNTED BELOW THE AUXILIARY SWITCHES.
 10. ELECTRIC BRAKE, HEATER AND THERMOSTAT ARE OPTIONAL ON SOME EQUIPMENT. CONSULT FACTORY LITERATURE FOR AVAILABLE OPTIONS.
 11. FOR 115 Vdc SIGNALS, TERMINAL BLOCK TB1 MUST HAVE TWO JUMPERS BETWEEN 1 AND 2 AND BETWEEN 3 AND 4. FOR 230 Vdc SIGNALS, TB1 MUST HAVE 1 JUMPER BETWEEN 2 AND 3.
 12. REFERENCE BETTIS BULLITTEN 0597 FOR PROGRAMMING DIRECTIONS.
 13. DUE TO SPACE CONSTRAINTS, ALL COMMAND SIGNALS WILL BE DIRECTLY FIELD WIRED TO THE BOARD FOR THE 800 SERIES.
 14. SECOND POTENTIOMETER IS OPTIONAL. CONSULT FACTORY LITERATURE FOR AVAILABLE OPTIONS.

15. SWITCHES ARE CONFIGURED FROM BOTTOM TO TOP (i.e. SWITCH 1 IS ON THE BOTTOM, SWITCH 2 IS THE NEXT ONE UP, etc.) LIMIT SWITCHES ARE MOUNTED BELOW THE AUXILIARY SWITCHES.
16. ELECTRIC BRAKE, HEATER AND THERMOSTAT ARE OPTIONAL ON SOME EQUIPMENT. CONSULT FACTORY LITERATURE FOR AVAILABLE OPTIONS.
17. FOR 115 Vdc SIGNALS, TERMINAL BLOCK TB1 MUST HAVE TWO JUMPERS BETWEEN 1 AND 2 AND BETWEEN 3 AND 4. FOR 230 Vdc SIGNALS, TB1 MUST HAVE 1 JUMPER BETWEEN 2 AND 3.
18. REFERENCE BETTIS BULLITTEN 0597 FOR PROGRAMMING DIRECTIONS.
19. DUE TO SPACE CONSTRAINTS, ALL COMMAND SIGNALS WILL BE DIRECTLY FIELD WIRED TO THE BOARD FOR THE 800 SERIES.
20. SECOND POTENTIOMETER IS OPTIONAL. CONSULT FACTORY LITERATURE FOR AVAILABLE OPTIONS.

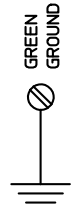


Electric Division, Mansfield, Ohio

MODULATING
ACv/1Ph WITH C139Z
ELECTRONIC PROPORTIONAL POSITIONER

SCALE NONE	JOB NO FILE	DRAWING NO.
DATE 10/28/98	2	WD-0007
DR. BY DK	ASSY	REV. 1 2 3 4 5 6
APPD BY TG	APPD BY	NO. 7 8 9 10

COMPLETE DIAGRAM



THIS DOCUMENT IS THE PROPERTY OF BETTIS AND MAY NOT BE USED, REPRODUCED, PUBLISHED, OR DISCLOSED TO OTHERS WITHOUT EXPRESS AUTHORIZATION OF BETTIS

REVISIONS
R-1) REMOVED JUMPER WIRES FROM BOARD TO TERMINALS 19 THRU 24 CUSTOMER NOW WIRES TO BOARD.
05/07/04 JMK